

BRADEN Gearmatic

PLANETARY HOIST



OVERVIEW



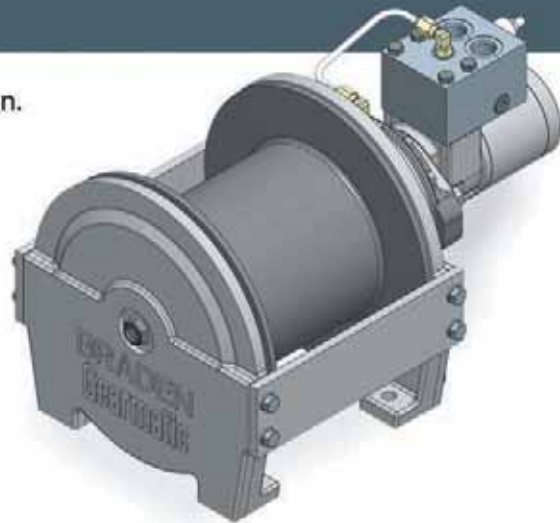
BG SERIES HOISTS

3,000 TO 9,000 POUND FIRST LAYER LINEPULL

The BG Series planetary hoists are designed for long-life and efficient operation. From the compact, powerful BG3 to the solid construction of the BG8, each BG winch is crafted to meet the performance demands of a variety of applications from marine industry boom hoist to the dynamic swing winch system used on dredges.

Some common features of all BG Series hoists include:

- » Multi-disc brake that is spring-applied and hydraulically released.
- » Large selection of high efficiency motor options; low flow/ high flow
- » Anti-friction bearings throughout, all parts running in oil.



PD SERIES HOISTS

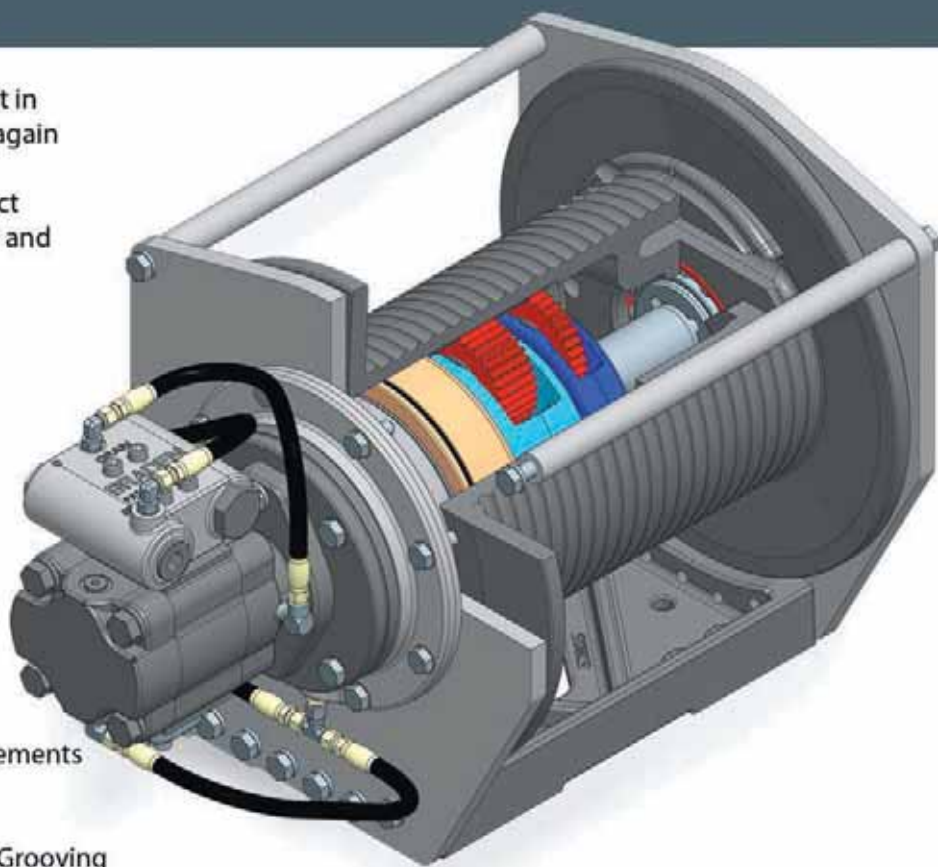
7,000 TO 21,000 POUND FIRST LAYER LINEPULL

The PD Series is the best selling planetary hoist in the world. The Braden design has been proven again and again in a wide variety of applications. The popularity of the PD Series winches is a direct result of the solid construction, integrated drum and gear design and performance flexibility. With more than 200 standard configurations, a cost effective solution for your application is available.

Recent design improvements to the brake assembly and enhancements in gear manufacturing enable the PD Series hoist to remain the most cost-effective, highest value product in its class.

Optional Features include:

- » Multiple Gear Ratios
- » Gear or Piston Motors, in a variety of displacements
- » Free Fall (Full Release of Controlled)
- » Tension Rollers
- » Variety of Drum Sizes with or without Drum Grooving



GH SERIES HOISTS

15,000 TO 44,000 POUND FIRST LAYER LINEPULL

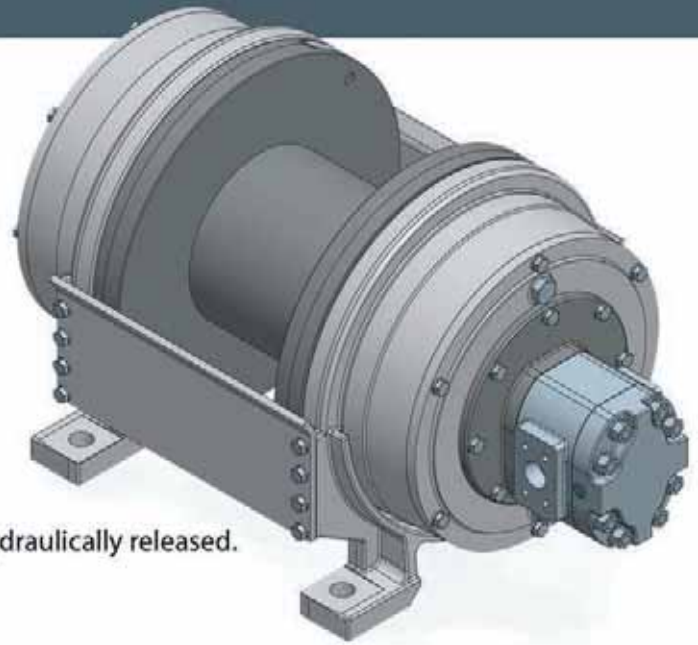
Every GH Series hydraulic hoist is built to meet the specific performance needs based on proven modular designs and assembled from a wide selection of optional features. When you specify a GH Series hoist, you have years of specialized engineering experience on your side. Few companies balance innovation and proven design practices as effectively as Braden Carco Gearmatic, resulting in a winch that does the job efficiently and profitably!

Standard features found on every GH Series hoists include:

- » Highly efficient computer-aided gear design.
- » Smooth-operating automatic brake; spring-applied and hydraulically released.
- » Anti-friction bearings throughout, all parts running in oil.

Special optional features of the GH Series include:

- » Controlled or Full Release Freefall
- » High Speed Reverse
- » Optional Drum Sizes



CH SERIES HOISTS

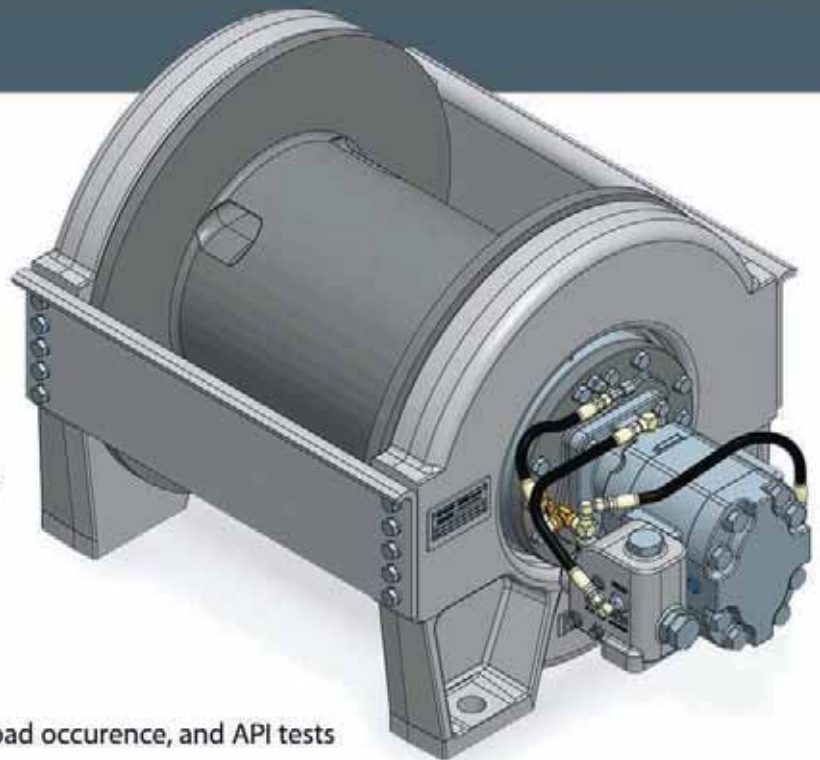
16,500 TO 64,000 POUND FIRST LAYER LINEPULL

The CH Series construction hoists are based on the long Braden heritage of innovative design and superior performance. If your application requires high line pulls, fast line speeds and large cable storage capacity, a CH Series winch is ready to go to work for you.

Most models offer optional gear ratios, motor displacements and types, ratchet and pawl, drum sizes, and provisions for testing and inspection per API 2C for offshore cranes.

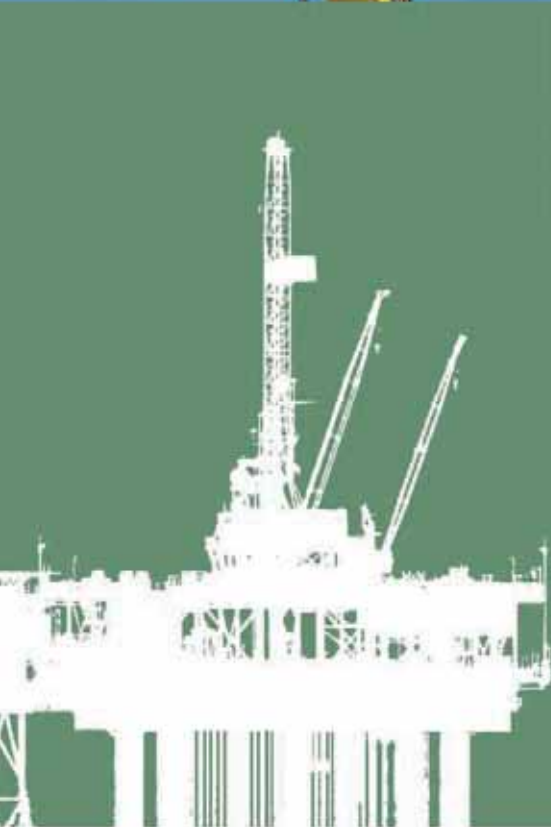
Special Optional features include:

- » Auxillary Drum Brake
 - fully enclosed, acts directly on drum
- » EMM- Electronic Maintenance Module
 - Tracks duty cyle, maintenance history, overload occurence, and API tests





PACCAR Winch Division manufactures Braden, Carco, and Gearmatic winch, hoist and drive systems in Oklahoma. Realizing the necessity of constant change, PACCAR Winch Division continuously improves design techniques, manufacturing processes and company culture to maintain high quality, high value products. Braden's superior product quality is the direct result of manufacturing and engineering experience backed by a commitment to develop, deliver and support the most valuable and innovative winch, hoist, and drive systems in the industry.



PACCAR Winch Division is committed to continuously strengthening the Company's market position through unwavering dedication to growth, quality, value and service while securing the future with appropriate investments in employees, equipment, and technologies. In the coming years the Company will continue to reach for new heights in customer satisfaction and product design. As new, innovative products are introduced to the market, PACCAR Winch Division will maintain the same high standards for design and practicality Braden products have delivered since 1924. Products will continue to be manufactured using the finest materials and workmanship. Above all, the Company's goal will remain the same: To manufacture the highest quality, highest value winch hoist and drive systems in the world.

For more information about Braden, Carco, or Gearmatic Products, please contact PACCAR Winch Division, or your nearest authorized distributor.

PACCAR WINCH DIVISION
P.O. BOX 547 BROKEN ARROW, OK U.S.A. 74013
PHONE (918) 251-8511 · FAX (918) 259-1575
www.paccarwinch.com