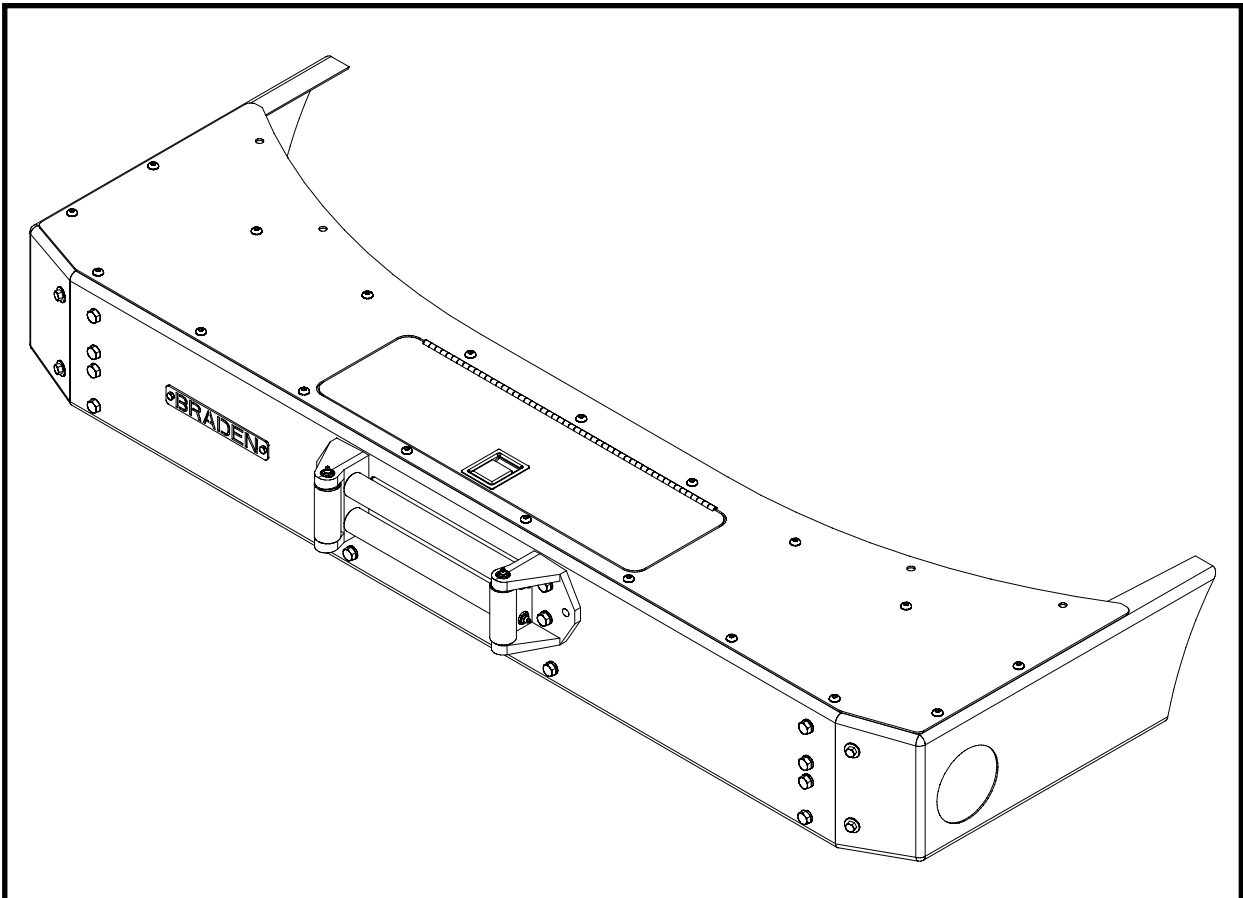
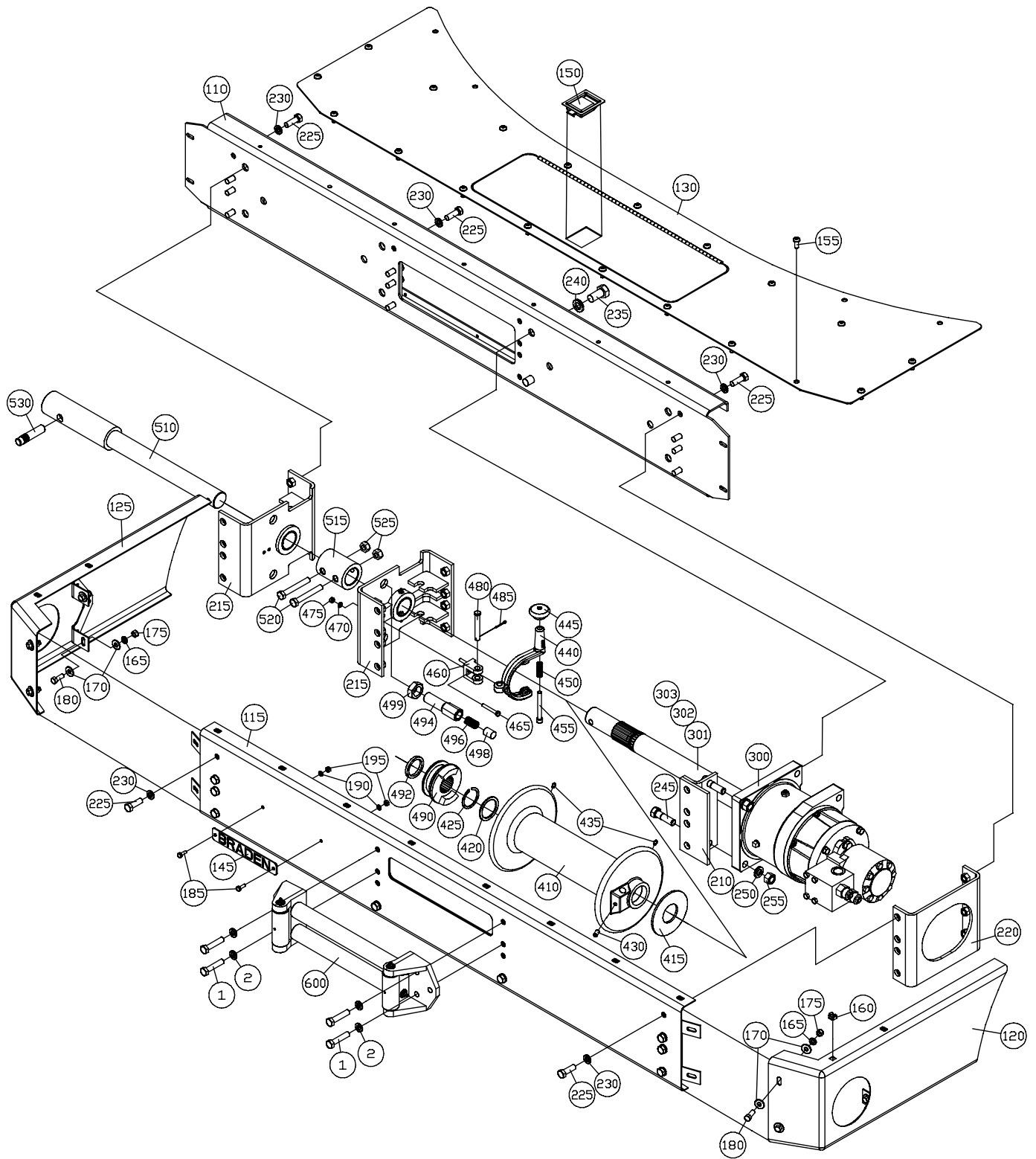

BRADEN

HUP12 MATERIAL LIST



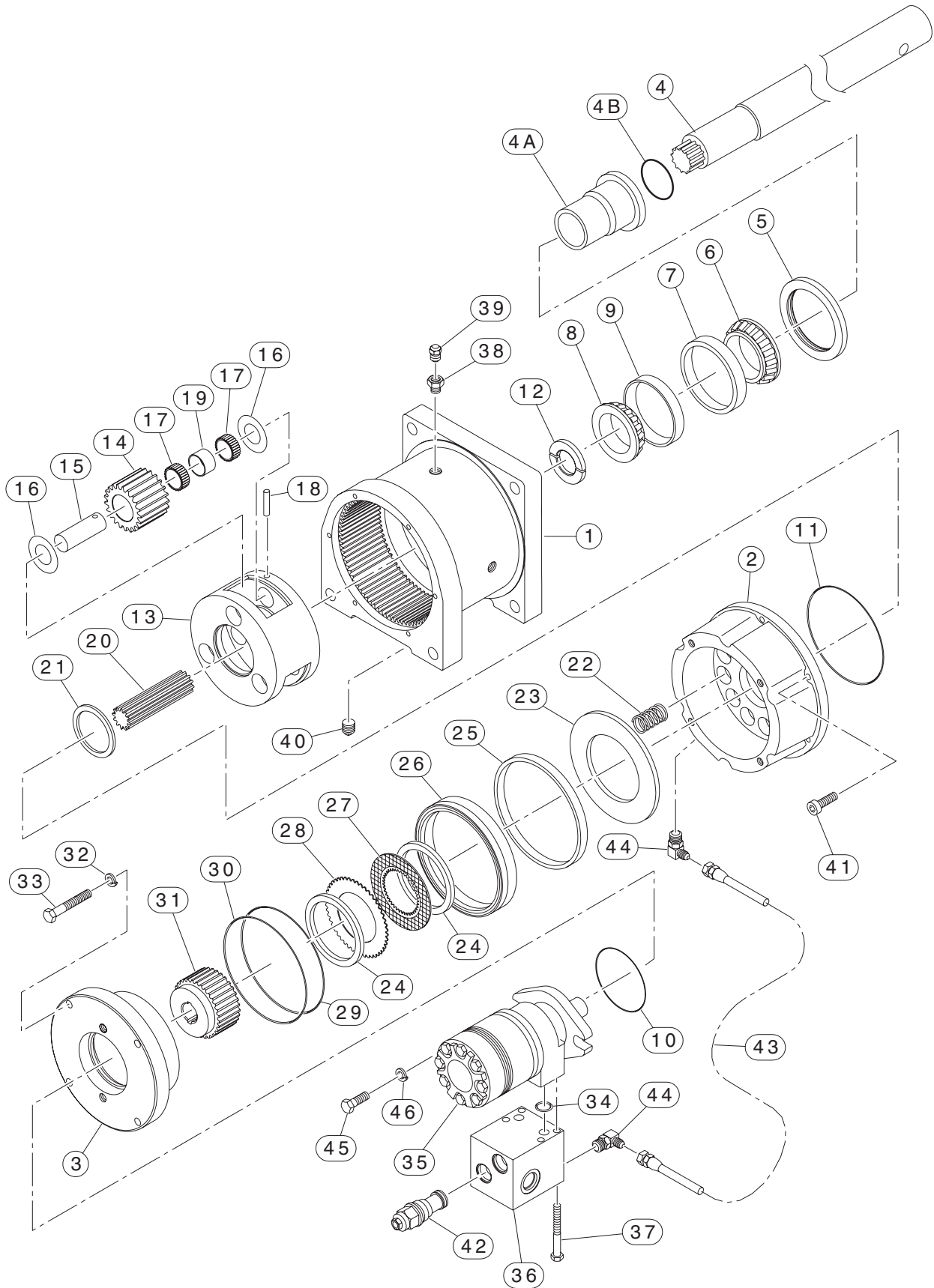
WINCH AND BUMPER ASSEMBLY



**WINCH AND
BUMPER ASSEMBLY**

ITEM	DESCRIPTION	PART NO.	QTY.
1	CAPSCREW	70095	4
2	LOCKWASHER	11026	4
110	BACK CHANNEL WELDMENT	101111	1
115	FRONT CHANNEL WELDMENT	101115	1
120	WING WELDMENT, LEFT	101345	1
125	WING WELDMENT, RIGHT	101348	1
130	TOP PLATE WELDMENT	101350	1
145	BRADEN NAMEPLATE	101356	1
150	LATCH, PADDLE	29270	1
155	CAPSCREW	101289	19
160	NUT, CAGE	101131	12
165	LOCKWASHER	18003	8
170	WASHER	27889	16
175	NUT, HEX	11780	8
180	CAPSCREW	21961	8
185	CAPSCREW	11758	2
190	LOCKWASHER	11015	2
195	NUT, HEX	11761	2
210	WINCH BRACKET WELDMENT	101120	1
215	BEARING LEG	82493	2
220	SUPPORT BRACKET WELDMENT	101130	1
225	CAPSCREW	13413	22
230	LOCKWASHER	11026	22
235	CAPSCREW	78468	2
240	LOCKWASHER	13435	2
245	CAPSCREW	31087	2
250	LOCKWASHER	11028	2
255	NUT, HEX	13448	2
300	WINCH DRIVE	82482	1
301	CABLE DRUM SHAFT	101301	1
302	SHAFT ADAPTER	101302	1
303	O-RING	75698	1
410	WINCH DRUM	101383	1
415	THRUST WASHER	101490	1
420	THRUST WASHER	25549	1
425	RETAINING RING	25587	1
430	SET SCREW	12228	1
435	GREASE FITTING	11799	2
440	SHIFTER FORK	101338	1
445	SHIFTER KNOB	18022	1
450	SHIFTER SPRING	11310	1
455	SHIFTER STEM	101491	1
460	SHIFTER FORK BRACKET	11346	1
465	CAPSCREW	21462	2
470	LOCKWASHER	11015	2
475	NUT, HEX	11761	2
480	SHIFTER FORK PIVOT PIN	18021	1
485	COTTERPIN	18008	1
490	SLIDING CLUTCH	27193	1
492	RETAINING RING	18019	1
494	DRAG BRAKE HOUSING	101492	1
496	DRAG BRAKE SPRING	29892	1
498	DRAG BRAKE DISC	27321	1
499	DRAG BRAKE ADJUSTING NUT	24849	1
510	EXTENSION SHAFT	101479	1
515	EXTENSION SHAFT COUPLING	11520	1
520	CAPSCREW	21686	2
525	NUT, HEX	22701	2
530	CAPSTAN PIN	11980	1
600	CABLE ROLLER ASSEMBLY	82485	1

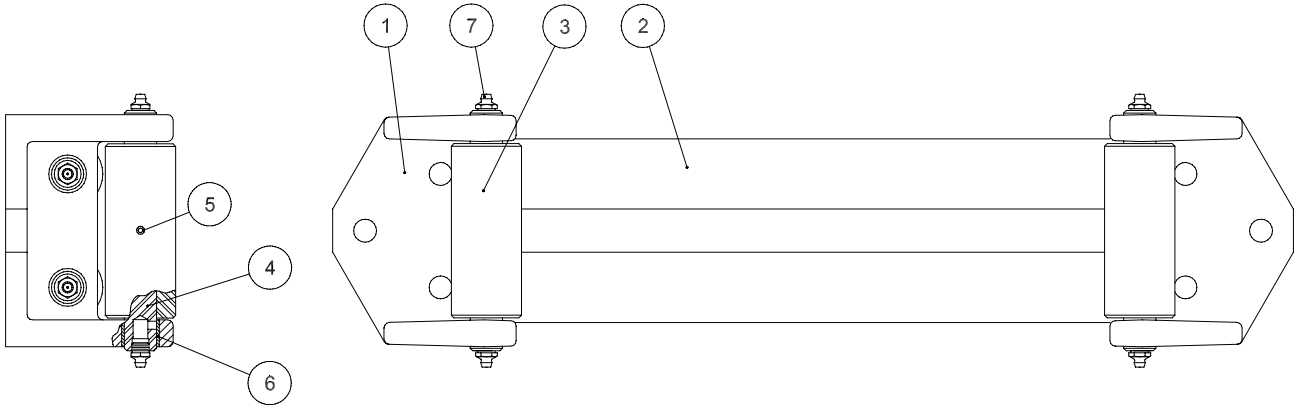
WINCH DRIVE ASSEMBLY



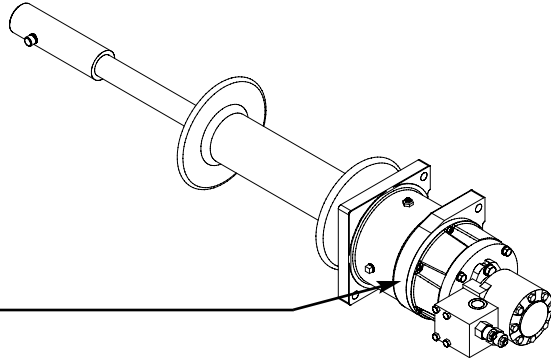
WINCH DRIVE ASSEMBLY

ITEM	DESCRIPTION	PART NO.	QTY.
1	HOUSING	29838	1
2	BRAKE CYLINDER	26330	1
3	MOTOR SUPPORT (142/071 motor)	29642	1
	MOTOR SUPPORT (129 motor)	25920	1
4	CABLE DRUM SHAFT	101301	1
4A	SHAFT ADAPTER	101302	1
4B	O-RING	75698	1
5	SEAL	24905	1
6	TAPERED BEARING CONE	27020	1
7	TAPERED BEARING CUP	11438	1
8	TAPERED BEARING CONE	24903	1
9	TAPERED BEARING CUP	24904	1
10	O-RING (129 motor)	21063	1
	GASKET (142/071 motor)	22813	1
11	O-RING	22721	1
12	SPLIT RING	29850	1
13	PLANET CARRIER	25309	1
14	PLANET GEAR	26272	3
15	PLANET GEAR SHAFT	24898	3
16	THRUST RACE	24167	6
17	ROLLER BEARING	24175	6
18	ROLLPIN	21049	3
19	BEARING SPACER	24890	3
20	SUN GEAR	28988	1
21	THRUST WASHER	25590	1
22	SPRING	27384	12
23	PRESSURE PLATE	25635	1
24	SPACER PLATE	25637	2
25	BRAKE PISTON	25636	1
26	BRAKE PISTON SEAL	25642	1
27	FRICTION DISC	21036	7
28	STEEL DISC	21029	8
29	O-RING	24981	1
30	BACKUP RING	25643	1
31	BRAKE COUPLING	29039	1
32	LOCKWASHER	18003	4
33	CAPSCREW (HEX HEAD)	22703	4
34	O-RING (142/071 motor)	22453	2
	O-RING (129 motor)	12273	2
34A	O-RING (072/036 motor shift port - not shown)	72094	1
35	MOTOR (142/071)	101382	1
	MOTOR (129)	101937	1
36	BRAKE VALVE BLOCK (129 motor)	40045	1
	BRAKE VALVE BLOCK (142/071 motor)	29672	1
37	CAPSCREW (HEX HEAD - 129 motor)	27622	4
	CAPSCREW (HEX HEAD - 142/071 motor)	22522	4
38	REDUCER BUSHING	25074	1
39	VENT PLUG	10074	1
40	PIPE PLUG	23377	4
41	CAPSCREW (SOCKET HEAD)	13932	6
42	COUNTERBALANCE VALVE CARTRIDGE	27258	2
43	HOSE ASSEMBLY	25750	1
44	ELBOW FITTING	25302	2
45	CAPSCREW (HEX HEAD - 129 motor)	22697	2
	CAPSCREW (HEX HEAD - 142/071 motor)	13938	2
46	LOCKWASHER	11026	2

CABLE ROLLER ASSEMBLY



ITEM	DESCRIPTION	PART NO.	QTY.
1	ROLLER BRACKET	100161	2
2	LONG ROLLER	101379	2
3	SHORT ROLLER	27010	2
4	ROLLER SHAFT	27011	2
5	ROLLPIN	22824	2
6	BUSHING	22470	8
7	GREASE FITTING	18047	8



Model Number

Serial Number

BRADEN HUP12 winches have the model and serial numbers stamped into the motor end of the gear housing. **Always** reference both of these numbers when ordering replacement parts.

Our goal is to ship the correct parts, the first time.

FOR BEST RESULTS, ALWAYS USE GENUINE BRADEN REPLACEMENT PARTS

TO ORDER PARTS:

1. List model and serial numbers of the winch.
2. Refer to drawings and select the component(s) needed and list the item number(s).
3. Find part number(s) on material list, show part number, description and quantity required on your order.
4. Refer to parts price list and show price for each part or assembly.

RECOMMENDED PLANETARY GEAR OIL

Field experience, supported by extensive engineering tests, indicates the use of the proper planetary gear oil is essential to reliable and safe operation of the winch brake and obtaining long gear train life.

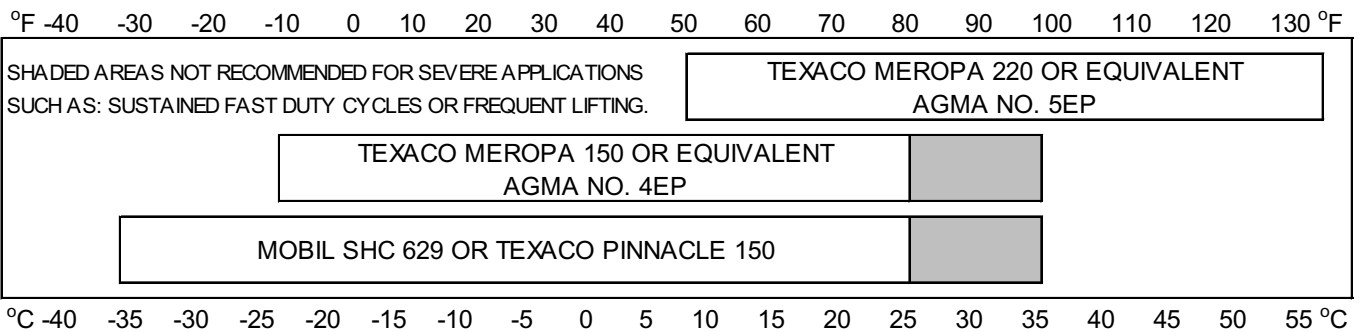
We have published the following specifications to help you determine which lubricant is best suited for your application. For simplicity, Braden has listed one readily available product in each temperature range which has been tested and found to meet our specifications. This is not to say that other lubricant brands would not perform equally as well.

If the following lubricant brands are not available in your area, make certain your lubricant vendor supplies you with oil that is equivalent to those products listed below

Braden planetary winches are factory filled with Texaco Meropa 150 or equivalent API GL-2/3 gear oil..

RECOMMENDED GEAR OIL

PREVAILING AMBIENT TEMPERATURE



⚠ WARNING ⚠

Do not use aftermarket additives in planetary gear oil. Some additives may contain substances which could cause glazing of brake discs and reduce the effectiveness of the brake assembly. This could reduce load control which may result in property damage, personal injury or death.