

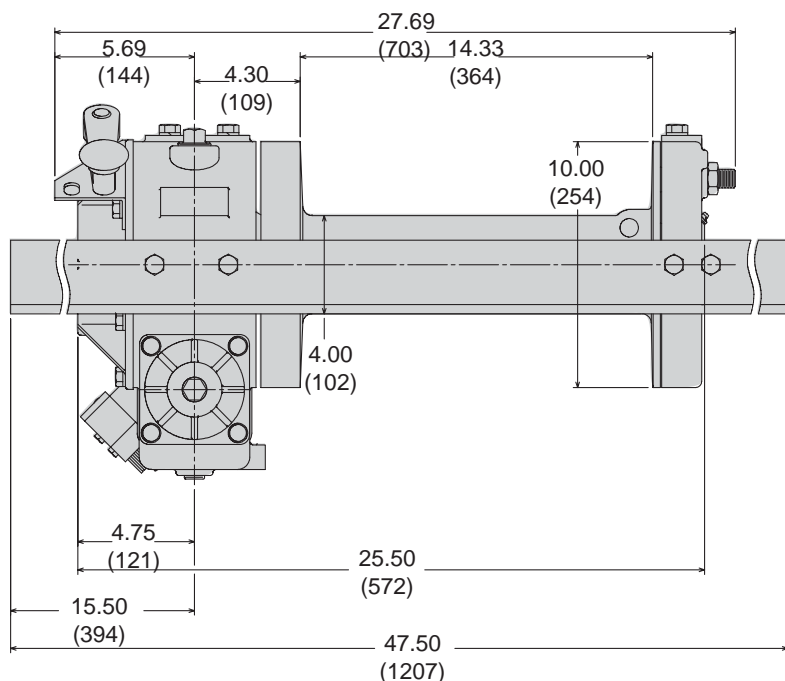
# AHU7 / AMU7

## 20,000 LB First Layer Line Pull

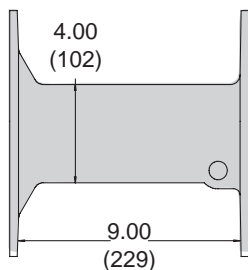
# BRADEN®

### DIMENSIONAL INFORMATION

RIGHT HAND ASSEMBLY SHOWN.

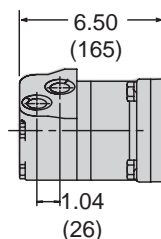


ALSO AVAILABLE WITH 9 in. DRUM

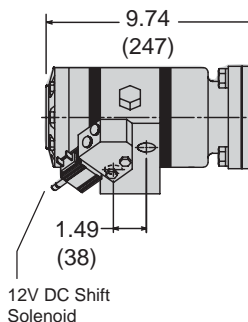


HYDRAULIC DRIVE

SINGLE SPEED MOTOR

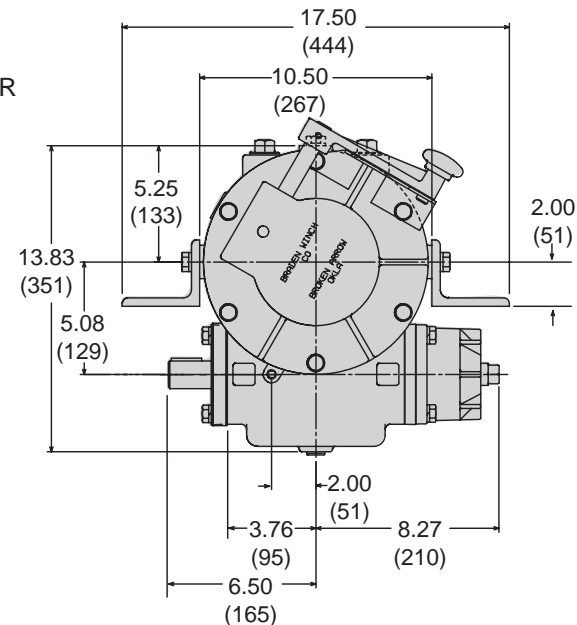


TWO SPEED MOTOR



12V DC Shift Solenoid

MECHANICAL DRIVE



- Tested in compliance with SAE Specification J706.
- Rugged and compact design.
- Oil-cooled, fully adjustable automatic worm brake.
- Freespool clutch with negative draft jaws for positive engagement under load.
- One piece cast ductile housing

**PACCAR WINCH DIVISION**

P.O. Box 547 Broken Arrow, Oklahoma 74013  
 PHONE: (918) 251-8511 FAX: (918) 259-1575  
[www.paccarwinch.com](http://www.paccarwinch.com)

**WIRE ROPE CAPACITY**

**14.33 in. DRUM**

ROPE SIZE	LAYER											
	1		2		3		4		5		6	
in.	ft	(m)	ft	(m)	ft	(m)	ft	(m)	ft	(m)	ft	(m)
7/16	34	10.4	75	22.9	123	37.5	177	53.9	239	72.8	307	93.6
1/2	30	9.1	67	20.4	111	33.8	162	49.4	219	66.8		
9/16	27	8.2	61	18.6	102	31.1	150	45.7				
5/8	25	7.6	57	17.4	95	29.0	140	42.7				

**9.00 in. DRUM**

ROPE SIZE	LAYER											
	1		2		3		4		5		6	
in.	ft	(m)	ft	(m)	ft	(m)	ft	(m)	ft	(m)	ft	(m)
7/16	22	6.7	47	14.3	77	23.5	111	33.8	150	45.7	193	58.8
1/2	19	5.8	42	12.8	70	21.3	102	31.1	138	42.1		
9/16	17	5.2	39	11.9	64	19.5	94	28.7				
5/8	16	4.9	36	11.0	60	18.3	88	26.8				

**⚠ WARNING ⚠**

A minimum of 5 wraps of wire rope must be left on the drum to prevent the load from being supported by the wire rope anchor alone. Since the wire rope anchor is not designed to hold the rated load, failure to leave 5 wraps of wire rope on the drum could cause the load to drop, which could result in property damage, personal injury or death.

WIRE ROPE CAPACITY IS 90% OF THEORITICAL.

**PERFORMANCE INFORMATION**

**Single Speed Performance**

LAYER	LINE PULL		LINE SPEED		ROPE CAPACITY			
	(lbs)	(kg)	(fpm)	(mpm)	14.33 in. Drum		9.00 in. Drum	
					(ft)	(m)	(ft)	(m)
1	20,000	9,090	20	6.1	27	8.2	17	5.2
2	16,040	7,290	25	7.6	61	18.6	39	11.9
3	13,390	6,086	30	9.2	102	31.1	64	19.5
4	11,500	5,227	25	7.6	150	45.8	94	28.7

**2-Speed Performance**

10.8/5.4 cu in. (177/89 cc)  
2,800 Δ psi (193 Δ bar) @ 22 gpm (83 lpm)

Layer	Low Speed				High Speed			
	LINE PULL		LINE SPEED		LINE PULL		LINE SPEED	
	(lbs)	(kg)	(fpm)	(mpm)	(lbs)	(kg)	(fpm)	(mpm)
1	20,000	9,000	17	5.1	9,000	4,100	34	10.2
2	15,700	7,100	22	6.6	7,100	3,200	43	12.9
3	13,000	5,900	26	7.8	5,800	2,600	52	15.6
4	11,000	5,000	31	9.3	5,000	2,300	62	18.6

**⚠ WARNING ⚠**

The products described herein are neither designed nor intended for use or application to equipment used in lifting or moving of persons.

**HYDRAULIC REQUIREMENTS:**

MOTOR	MAX	MAX	MAX	MAX
	Δ PSI	(Δ bar)		gpm
11.9 cu.in.	2,200	152	@	28 106
14.9 cu.in.	1,700	117		35 132
10.8/5.4 cu.in.	2,800	193		22 83

**PERFORMANCE FORMULAS**

**LINE PULL AT LOWER PRESSURE**

$$\frac{\text{YOUR SYSTEM PRESSURE}}{\text{MAXIMUM PRESSURE (FROM CHART)}} \times \text{LINE PULL FROM CHART} = \text{LINE PULL ESTIMATE}$$

**LINE SPEED AT LOWER FLOW**

$$\frac{\text{YOUR SYSTEM FLOW}}{\text{MAXIMUM FLOW (FROM CHART)}} \times \text{LINE SPEED FROM CHART} = \text{LINE SPEED ESTIMATE}$$

**NOTES**

Specifications are subject to change without notification and without incurring obligation.

Pressure and flow shown are the maximum allowable for the particular combination of winch, ratio, motor and drum.

Specifications in this publication are theoretical and may vary depending on hydraulic system, environment, etc.

Line pulls are maximum ratings for the winch only.

Wire rope ratings may be lower than the the winch rating.

Consult the wire rope manufacturer for ratings.

**ENGINEERING DATA**

**MECHANICAL REQUIREMENTS:**

Static Input Torque		Dynamic Input Torque		Max Input
lb-in	N-m	lb-in	N-m	RPM
3,940	445	3,000	339	500

Worm Gear Ratio.....30:1  
Input Shaft Diameter.....1.25" (31.75 mm)  
Oil Capacity.....2 pints  
Weight - 14 in. Drum (winch only).....245 lbs. (111 kg)  
Weight - (w/ single speed hydraulic motor).....260 lbs. (118 kg)