

AERIAL LIFT SERVICE VAN

DVS-29

DUR-A-LIFT®

TELESCOPIC, NON-INSULATED



AVAILABLE AS
ENCLOSED BODY OR
WITH SIDE STORAGE.



**SECURE
STORAGE** &
Lots of storage!

Keep all of your
supplies safe and
secure with this single
door storage system
complete with shelves
for easy storage.



sales@dur-a-lift.com
www.dur-a-lift.com

Dur-A-Lift Inc., P.O. Box 31, George, Iowa 51237
(877) 4-DURALIFT (877) 438-7254 | Fax: (712) 475-2809

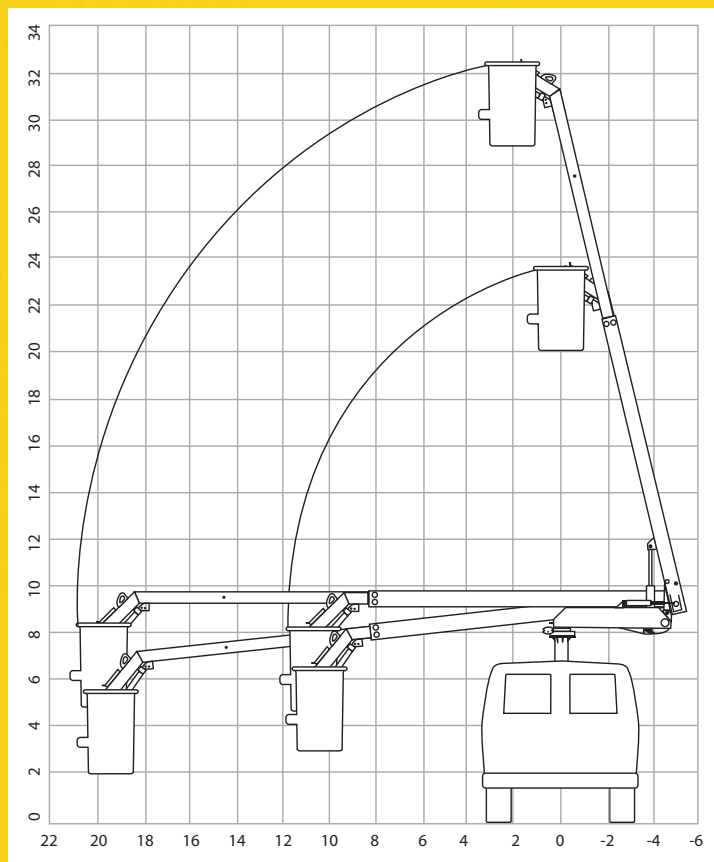
DVS-29

SPECIFICATIONS

Platform height	29'
Working height	34'
Side reach	21'
Boom travel	-5° + 80°
Basket capacity	350#
Stowed Height	10'1"
Extension Travel	9'

Minimum GVWR will change significantly depending on make of chassis and stabilizer option. Dur-A-Lift Inc. reserves the right to improve models and change specifications without notice or obligation. Dur-A-Lift equipment meets or exceeds all applicable ANSI Standards as of the date of manufacture.

REACH DIAGRAM



This aerial lift is sold and serviced by:



Lots of storage space with built-in shelving. Added security with no side compartment doors.

STANDARD FEATURES

- Adjustable wear blocks on main boom
- Gravity basket leveling
- Positive lock basket
- **110V outlet basket**
- Environmentally sealed toggle switches
- Greaseless bearings
- 370° non-continuous rotation
- Electric over hydraulic controls
- Upper/lower controls with lower override
- Maximum operating pressure of 2,100 PSI
- 5"x7" rectangular steel main boom
- 4"x6" rectangular steel extension boom

OPTIONS

- Hydraulic basket leveling with trim switch at basket
- **End hung basket**
- **Walk-in basket**
- Full function DC backup
- Lower remote controls
- Lower hydraulic basket stow/dump
- Lower start/stop
- Electric joystick
- Torsion bar
- Tail Shelf
- Basket cover
- Tool tray
- Basket heater
- Fold down seat
- Splicers basket
- Battery power
- Fan belt clutch pump power



sales@dur-a-lift.com
www.dur-a-lift.com

Dur-A-Lift Inc., P.O. Box 31, George, Iowa 51237
(877) 4-DURALIFT (877) 438-7254 | Fax: (712) 475-2809