

DPM-47 & DPM-52

TELESCOPIC ARTICULATING AERIAL LIFT

DUR-A-LIFT®

CATEGORIES
C, D, & E
NOW AVAILABLE
TO MEET NEW
ANSI A92.2
STANDARDS

Working heights up to
57 FEET
AND SIDE REACH UP TO 31'6"



180°
BASKET
ROTATION

Options available for
double person baskets
in the DU and DP series



- Convenient access to all the compartments right from the basket.
- -35° boom angle allows for access to the basket from ground level.
- Conveniently positioned controls will allow the operator to be more effective when maneuvering their materials.



sales@dur-a-lift.com
www.dur-a-lift.com

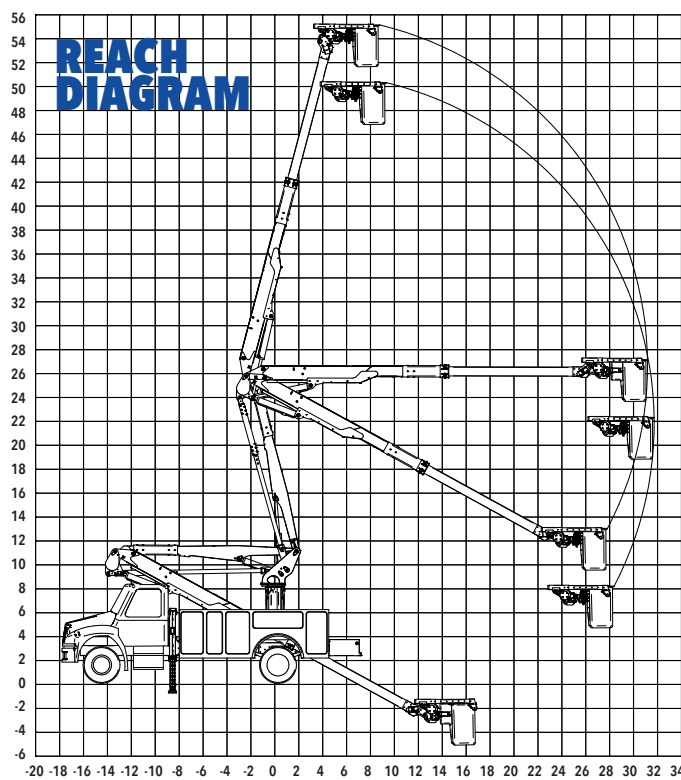
Dur-A-Lift Inc., P.O. Box 31, George, Iowa 51237
(877) 4-DURALIFT (877) 438-7254 | Fax: (712) 475-2809

DPM-47 & DPM-52

SPECIFICATIONS

	DPM-47	DPM-52
Height to bottom of platform	47'	52'
Working height	52'	57'
Side reach	31'6"	31'6"
Stowed travel height	10'5"	11'8"
Platform capacity (MH MODELS)	400#	400#
Platform capacity using jib (DU MODEL)	400#	400#
Platform capacity not using jib (DU MODEL)	550#	550#
Platform capacity (DP MODELS)	600#	600#
Approximate weight	4300#	4400#
Articulating arm travel	0 to 80	0 to 80
Main boom travel	-35 to 80	-35 to 80
Extension travel	120"	120"

Minimum GVWR will change significantly depending on make of chassis and stabilizer option. Dur-A-Lift Inc. reserves the right to improve models and change specifications without notice or obligation. Dur-A-Lift equipment meets or exceeds all applicable ANSI Standards as of the date of manufacture.



This aerial lift is sold and serviced by:

STANDARD

- Proportional controls
- Lower override controls
- Engine start/stop from basket
- **Basket access from ground**
- Compensated upper boom
- Insulated cat "C" extension boom
- Hydraulic basket leveling
- Continuous rotation
- Joystick and lockout controls

MH FEATURES

MATERIAL HANDLING

- Up to 1000# jib and winch
- **Upper and lower winch control**
- 400# basket capacity
- 24" X 30" fiberglass basket
- **180° basket rotator**

DP FEATURES

DUAL PERSON

- 600# basket capacity
- 24" X 48" fiberglass
- **180° basket rotator**

DU FEATURES

DUAL CONFIGURATION:
DUAL PERSON OR MATERIAL HANDLING

- Up to 1000# jib and winch
- 550# basket capacity when not using winch
- 400# basket capacity when using winch
- 24" X 42" fiberglass basket
- 24" X 42" aluminum basket
- 100° basket rotator



Double person baskets available in our DU and DP models.

OPTIONS

- High electrical resistant controls
- Outriggers
- Basket liner for fiberglass baskets
- Tool circuits
- Fiberglass main and articulating booms
- D.C. backup system
- 180° basket rotator **DU**
- Aluminum basket



sales@dur-a-lift.com
www.dur-a-lift.com

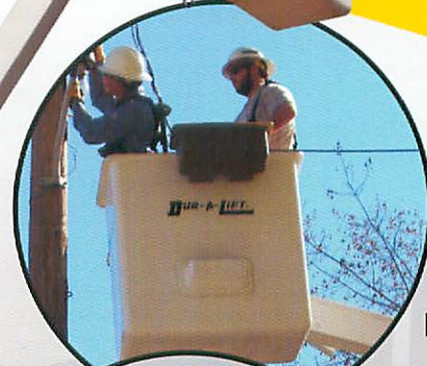
Dur-A-Lift Inc., P.O. Box 31, George, Iowa 51237
(877) 4-DURALIFT (877) 438-7254 | Fax: (712) 475-2809

DUR-A-LIFT®

DPM 36 DPM 40

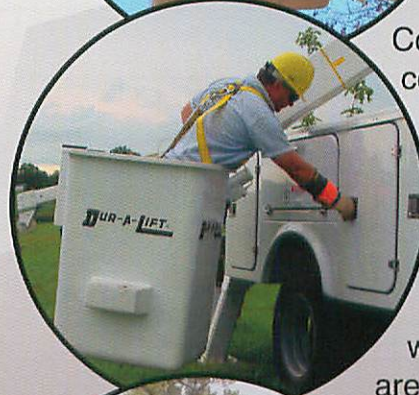
LARGE THINGS, DO COME IN SMALL PACKAGES.

Conveniently positioned controls will allow the operator to be more effective when maneuvering their materials



DPM model offers options for double person baskets in our DU and DP series.

Convenient compartment access from the basket improves efficiency by eliminating the need to exit and re-enter the basket when additional tools are needed.



180° Basket rotation available.



-35° Boom angle gives the operator the flexibility of ground level basket access for overall ease of use.



UP TO 45' WORKING HEIGHT

sales@dur-a-lift.com
www.dur-a-lift.com

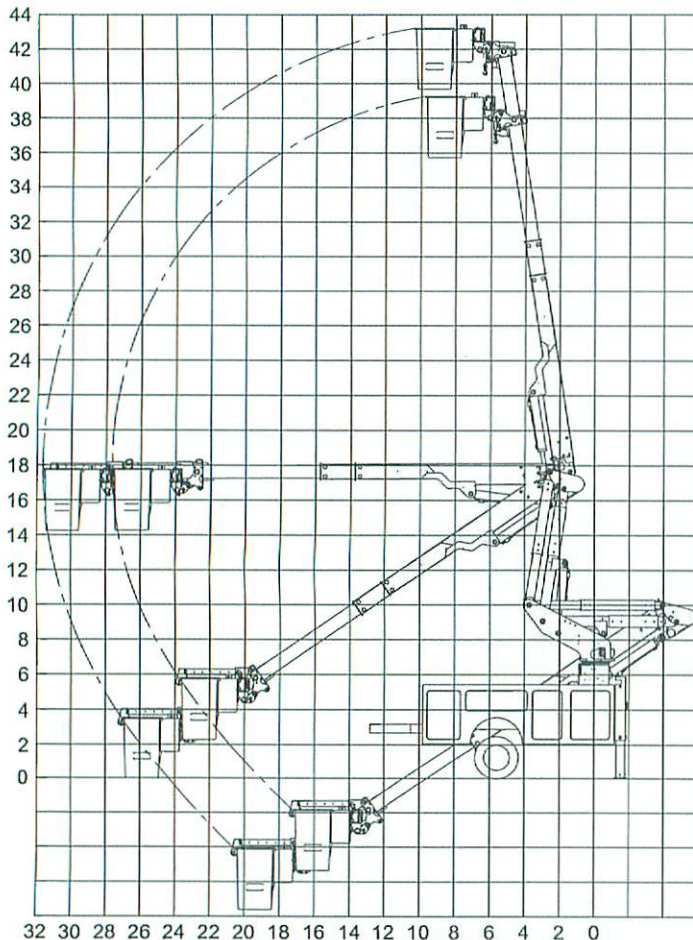
Dur-A-Lift Inc, P.O. Box 31, George, Iowa 51237
(877) 4-DURALIFT (877) 438-7254 | Fax: (712) 475-2809

SPECIFICATIONS

	DPM 36	DPM 40
Height to Bottom of Platform	36'	40'
Working Height	41'	45'
Side Reach (MH, DU, and DP Models)	27' 6"	31' 6"
Side Reach (SP Model)	29' 6"	33' 6"
Approximate Stowed Travel Height	10' 6"	20' 6"
Platform Capacity (SP and MH Models)	400#	400#
Platform Capacity Using Jib (DU Model)	400#	400#
Platform Capacity not Using Jib (DU Model)	550#	550#
Platform Capacity (DP Model)	600#	600#
Approximate Weight	3700#	3900#
Articulating Arm Travel (MH, DU, and DP)	0° to 80°	0° to 80°
Articulating Arm Travel (SP)	0° to 96°	0° to 96°
Main Boom Travel	-35° to 80°	-35° to 80°
Extension Travel	96"	120"

Minimum GVWR will change significantly depending on make of chassis and stabilizer option. Dur-A-Lift Inc. reserves the right to improve models and change specifications without notice or obligation. Dur-A-Lift equipment meets or exceeds all applicable ANSI Standards as of the date of manufacture.

Reach & Elevation



Basket shown in end hung position

STANDARD FEATURES

- Proportional Controls
- Lower Override Controls
- Engine Start/Stop from Basket
- Basket Access from Ground
- Compensated Upper Boom
- Insulated Cat "C" Extension Boom
- Hydraulic Basket Leveling
- Continuous Rotation
- Joystick and Lockout Controls

DPM-36/40 MH FEATURES

- Up to 1000# Jib and Winch
- Upper and Lower Winch Control
- 400# Basket Capacity
- 24" X 30" Fiberglass Basket
- 180° Basket Rotator

DPM-36/40 DP FEATURES

- 600# Basket Capacity
- 24" X 48" Fiberglass Basket
- 180° Basket Rotator

DPM-36/40 DU FEATURES

- Up to 1000# Jib and Winch
- 550# Basket Capacity When Not Using Winch
- 400# Basket Capacity When Using Winch
- 24" X 42" Fiberglass Basket
- 24" X 42" Aluminum Basket
- 100° Basket Rotator

DPM-36/40 SP FEATURES

- Standard 24" X 30" Fiberglass Basket
- 180° Basket Rotator
- 400# Basket Capacity
- 33' 6" Side Reach

Options

- High Electrical Resistant Controls
- Outriggers
- Basket Liner for Fiberglass Baskets
- Fiberglass Main and Articulating Booms
- Tool Circuits
- D.C. Backup System
- 180° Basket Rotator (DU)
- Aluminum Basket

This aerial lift is sold and serviced by: