



**PISTON**

# the BA502

## Hydraulic Drive Piston Air Compressor

**OUR BIGGEST PISTON AIR COMPRESSOR**



**FOR THE MECHANICS TRUCK AND TIRE SERVICE INDUSTRY!**

more air solutions at  
**BOSSair.com**

**BOSS**<sup>®</sup>  
engineered **AIR** systems

# the BA502

## Hydraulic Drive Piston Air Compressor

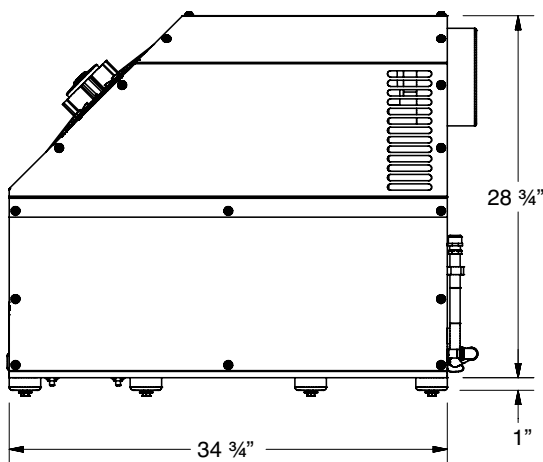
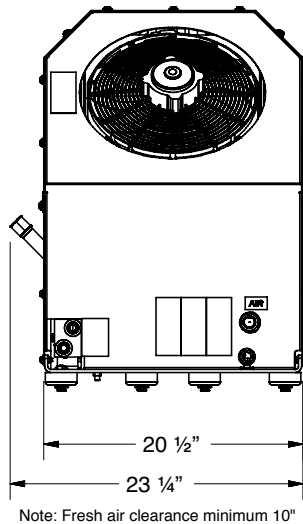
When performance counts, the BA502 is ideal for the Mechanics Truck and Tire Service Professional that utilizes the advantage of a 1" or larger impact driver!

The BOSS® BA502 is a two stage, air cooled, heavy duty cast iron, splash lubricated, piston air compressor. The piston assembly is direct coupled to a hydraulic gear motor resulting in a "No belt, No worries" air compressor.

**PLUS!** All routine maintenance is accessible without removal of the canopy!

### BENEFITS

- High air discharge temperature shutdown
- Integrated compressor hydraulic cooler
- Open center valve block with hydraulic pressure relief
- Capacity 50cfm @ 175psig @ 800 input rpm
- Hydraulic requirements are 13gpm @ 2,200psig (2,400psig maximum).
- Auto head unloading for improved hp savings
- Lightweight rustproof aluminum canopy
- Easy to read oil level sight glass
- Double isolation system for smooth operation



**BOSS BA502 Dimensions**

### COMPRESSOR

Type	Two stage, 2-cylinder piston
Delivery	50cfm @ 175psig @ 800rpm
Power Source	Hydraulic gear motor
Bore	Low pressure- 6.10" High pressure- 3.23"
Stroke	4.57"
Displacement	62cfm*
Cooling	Air
Hydraulic Flow @ 800rpm	13gpm
Hydraulic Pressure	2,200psig (2,400psig max.)
Ambient Air Temperature	-20° to 100° F
Hydraulic System	Open center
Hyd Reservoir Requirements	25 gallon min.
Lubrication	Splash
Oil Capacity	3 qts.
Electrical	12vdc standard (24vdc optional)
Hydraulic System Cooler	Included as standard (compressor hydraulic cooling only)
Dimensions	34 3/4" L x 28 3/4" H x 20 1/2" W
Weight	590lbs. (Wet)
Warranty	1 year
Air Reservoir	30 gallon min.

\*at 800 rpm



### BOSS INDUSTRIES, INC.

1761 Genesis Drive LaPorte, IN 46350  
Voice: (219) 324-7776 • (800) 635-6587 • Fax: (219) 324-7470  
Electronic: www.bossair.com • email: sales@bossair.com

### DISTRIBUTED BY:

Specifications subject to change without notice.

©2014 Boss Industries, Inc. Printed In U.S.A. BA502-2. 250. 022514. IF