



PISTON

the BA440 Hydraulic Drive Piston Air Compressor

OUR FLAGSHIP AIR COMPRESSOR JUST GOT BETTER!



FOR THE MECHANICS TRUCK AND TIRE SERVICE INDUSTRY!

more air solutions at

BOSSair.com

BOSS[®]
engineered **AIR** systems

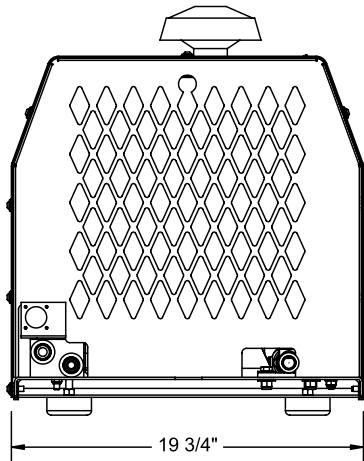
the BA440

Hydraulic Drive Piston Air Compressor

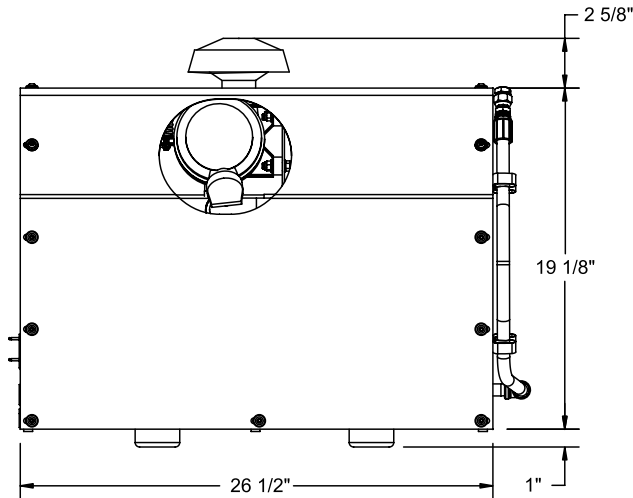
When performance and reliability matter, the BA440 is ideal for the Mechanics Truck and Tire Service Professionals!

Engineered around a durable BOSS® hand built and tested compressor assembly, this light-weight package delivers a smooth 40cfm @ 100psig. It's driven by a hydraulic motor requiring 12gpm @ 2,100psig for optimum speed of 1,650rpm input.

And to make life easier for you, all routine maintenance is accessible without removal of the canopy!



Note: Fresh air clearance minimum 10"



BOSS BA440 Dimensions

BENEFITS

- High air discharge temperature shutdown
- Integrated compressor hydraulic cooler
- Pressure lubricated oil pump and splash lubrication
- The piston assembly is direct coupled to a hydraulic gear motor resulting in a "No belt, No worries" air compressor.
- Open center valve block with hydraulic pressure relief
- Auto start/stop based on system air pressure
- Lightweight rustproof aluminum canopy
- Aluminum piston assembly for maximum thermal heat transfer
- 1/2 the weight of comparable cast iron piston assemblies
- 2-Stage Donaldson® air filter
- Auto head unloader for smooth starting
- Balanced crankshaft

COMPRESSOR

Type	Single-stage, 4-cylinder piston
Delivery	40cfm @ 100psig (150psig max.) @ 1,650rpm
Duty Cycle	Intermittent
Power Source	Hydraulic motor
Bore	2 5/8"
Stroke	2 1/2"
Displacement	44cfm*
Cooling	Air
Fan Diameter	14 1/8"
Hydraulic Flow @ 1,650 RPM	12gpm
Hydraulic Pressure	2,100psig (2,400psig max.)
Ambient Air Temperature	-20° to 100° F
Max Operating Slope	20°
Hydraulic System	Open center (Closed Center Optional)
Reservoir requirement	12 gallon minimum
Lubrication	Pressure lube
Oil Capacity	1 1/3 qts.
Electrical	12vdc standard (24vdc optional)
Hydraulic System Cooler	Included as standard. (compressor hydraulic cooling only)
Dimensions	26 1/2"L x 19 1/8"H** x 19 3/4"W
Enclosure	Powder-coated aluminum
Weight	180lbs. (Dry)
Warranty	18 Months

*At 1,650rpm.

**Add 2 5/8" to height for air filter cap.



BOSS INDUSTRIES, LLC.

1761 Genesis Drive LaPorte, IN 46350

Voice: (219) 324-7776 • (800) 635-6587 • Fax: (219) 324-7470

Electronic: www.bossair.com • email: sales@bossair.com

DISTRIBUTED BY:

Specifications subject to change without notice.

©2016 Boss Industries, LLC. Printed In U.S.A. BA440. 500. 02/26/16. BI